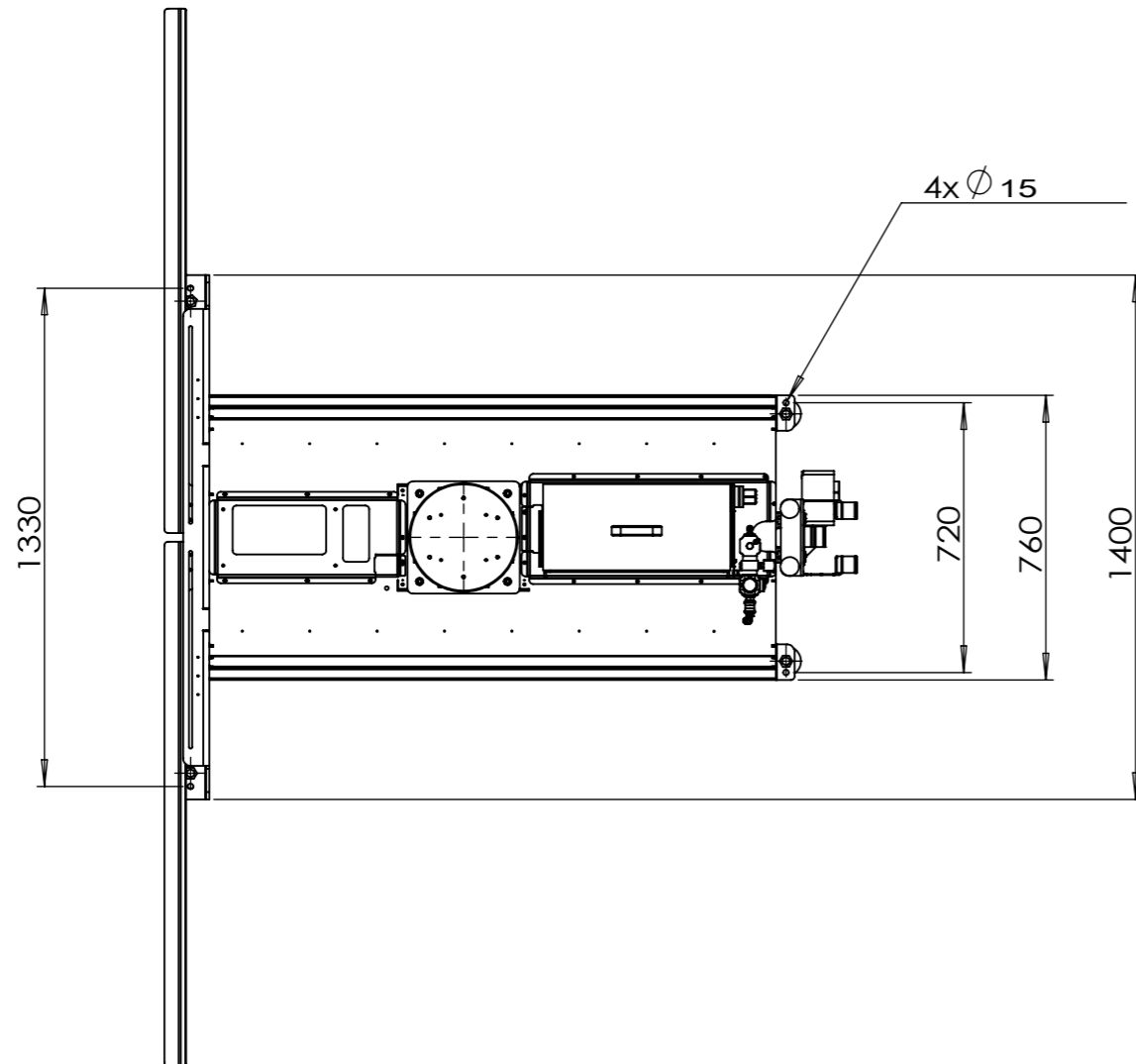
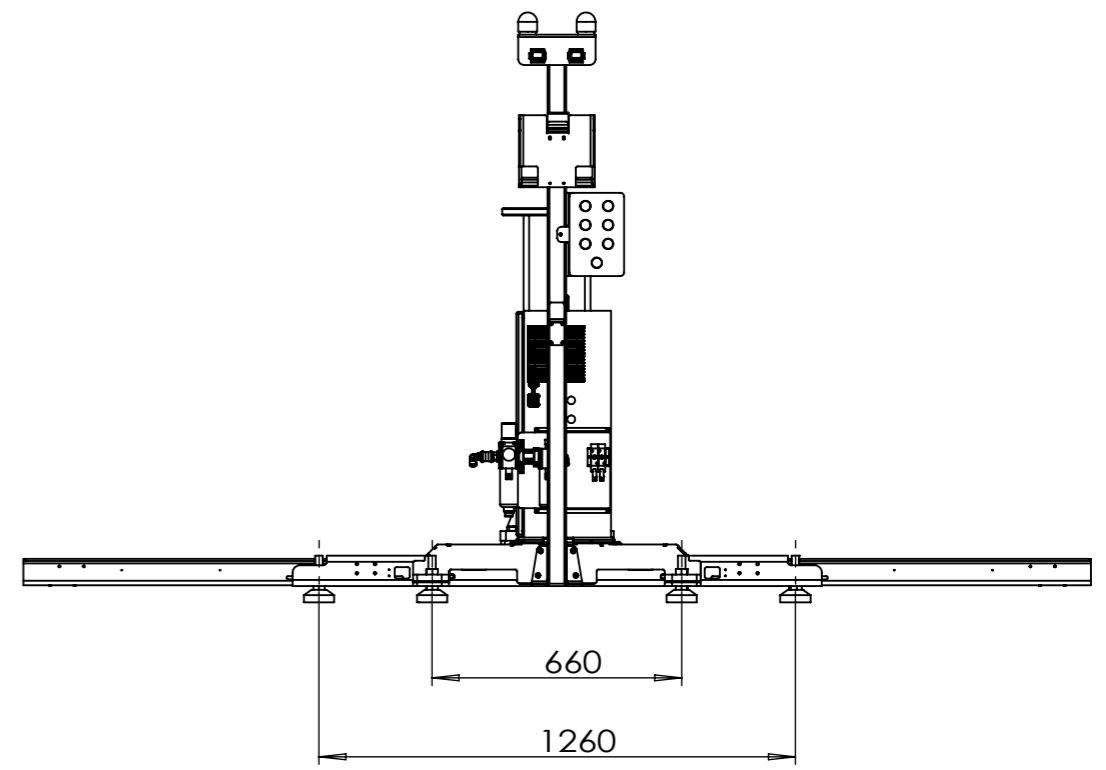
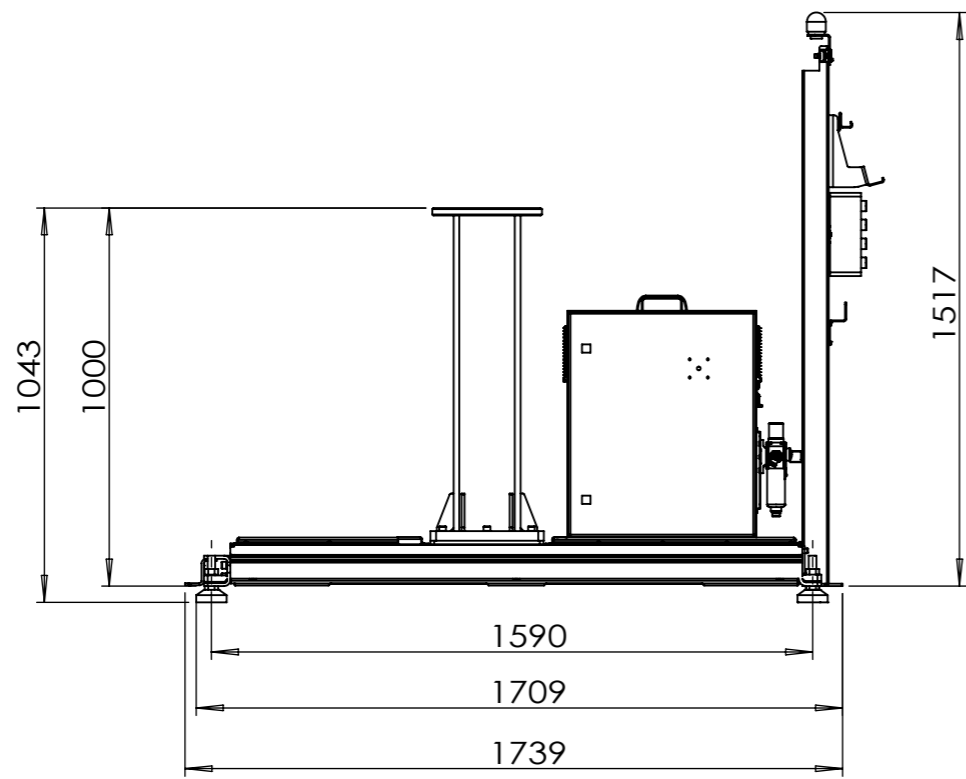


CPF10



TITLE		CPF10	
DATE		Aug 14, 2024	
REV.	1.1	NO.	